

## CTRJGU Series 10/100/1000 Gigabit Ethernet RJ45 Dual USB Combo Integrated Modular Jack

### CHARACTERISTICS

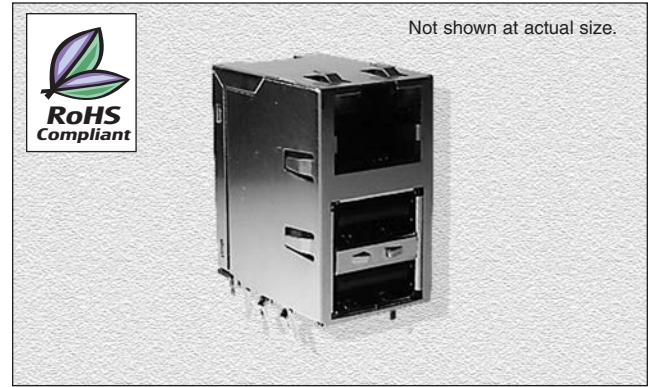
- Meets IEEE 802.3 standard
- 350  $\mu$ H minimum OCL with 8mA DC bias current
- USB module complies with USB 2.0 standards
- RJ45 connection meets CAT3, 5e, and 6 Fast Ethernet
- Available with or without LEDs
- Minimum 1500Vrms isolation per IEEE 802.3 requirement
- Operating temperature 0°C to +70°C
- Storage temperature -40°C to +85°C

RoHS Compliant

### Transformer electrical specifications @ 25°C

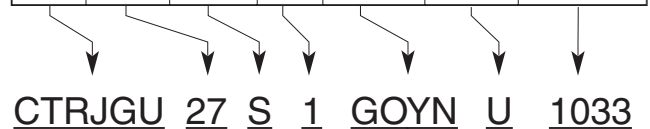
### MATERIAL SPECIFICATION

- Metal Shell:** Copper Alloy , Finish: 50 $\mu$ " Nickel
- Back Cover:** Copper Alloy , Finish: 50 $\mu$ " Nickel
- Housing:** Thermoplastic , UL 94V-0, Color Black
- Bottom Base:** Nylon PA46, UL 94V-0, Color Black
- Terminal/Copper Alloy t= 0.40x0.50mm Thickness, 100 $\mu$ " Tin-Lead on Solder, Both over 50 $\mu$ " Nickel Under-Plated
- Insert:** Thermoplastic , UL 94V-0, Color Black
- Contact Terminal / Phosphor Bronze, 15 $\mu$ " Gold on Contact Area, 100 $\mu$ " Tin on Solder, Both over 50 $\mu$ ", Nickel Under-Plated
- Coil Base:** Phenolic, UL 94V-0, Color Black



### PART NUMBER CONFIGURATION

Series	Size Code	Layers	Port (Each Layer)	LED (L/R)	Tab	Schematic
CTRJGU	27	S = Single	1	N = None G = Green Y = Yellow O = Orange	U = Up	1033,1026



### LED CONFIGURATION

Schematic	Standard LED	Wavelength ( $\lambda$ )	V / IF= 20 mA		Image
			Max.	Typ.	
1033	Yellow	585nm	2.5V	2.1V	
	Green	570nm	2.5V	2.1V	
	Orange	605nm	2.5V	2.1V	
Schematic	Standard LED	Wavelength ( $\lambda$ )	V / IF= 20 mA		Image
			Max.	Typ.	
1026	Yellow	585nm	2.5V	2.1V	
	Green	570nm	2.5V	2.1V	
	Orange	605nm	2.5V	2.1V	

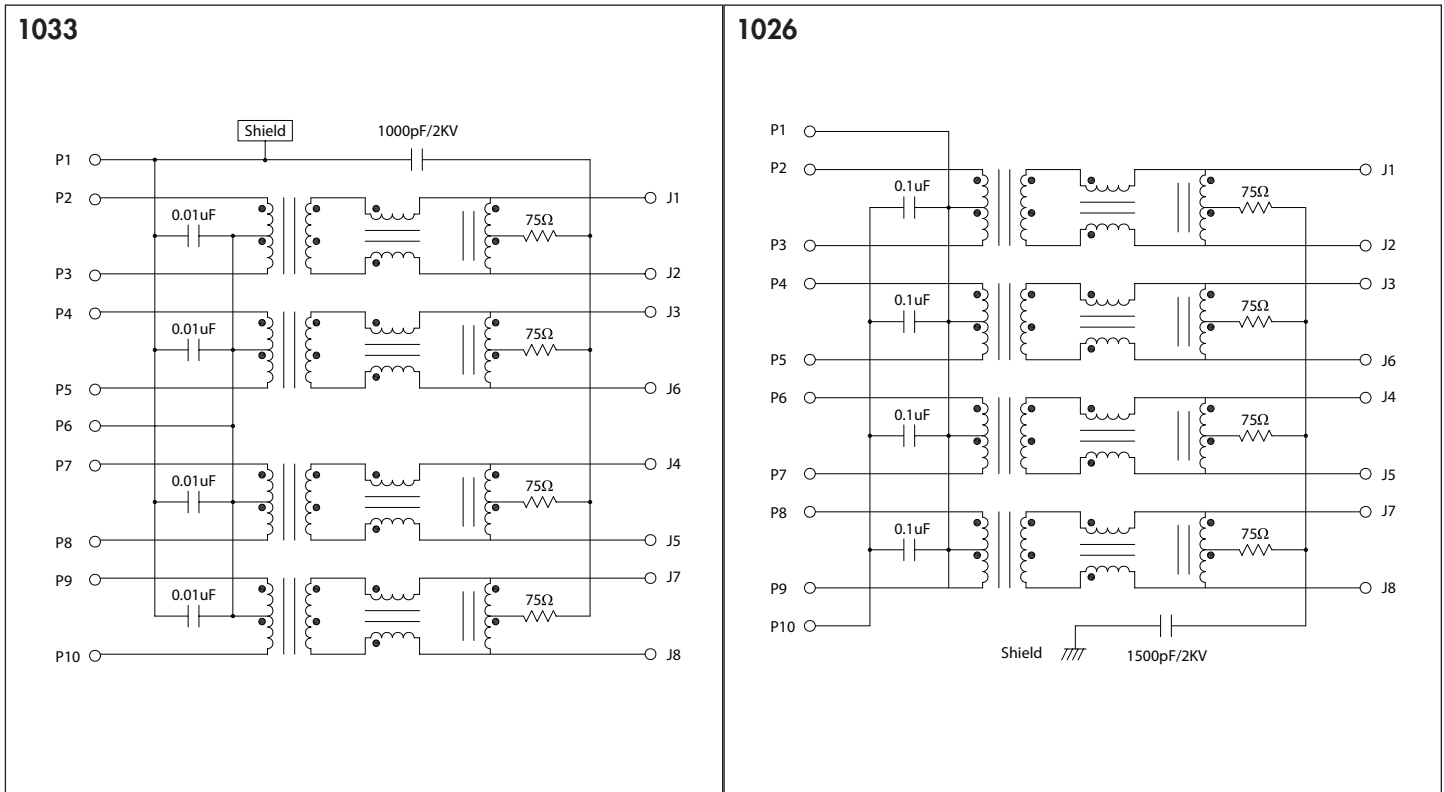
12.07.06

## CTRJGU Series

### ORDERING INFO

Part Number	Data Rate	Turns Ratio TX/RX	LEDs (L/R)	Insertion Loss (dB max.)	Return Loss 100Ω ± 15Ω (dB min.)			Cross Talk (dB min.)			C.M.R. (dB min)		Hi-pot (Vrms)
					1-125MHz	1-30MHz	30-60MHz	60-80MHz	1-30MHz	30-60MHz	60-100MHz	1-60MHz	
CTRJGU27S1GOYNU1033	10/100/1000	1CT:1	GOYN	-1.2	-18	-16	-12	-40	-35	-30	-40	-30	1500
CTRJGU27S1NGYU1026	10/100/1000	1CT:1	NGY	-1.2	-18	-16	-12	-40	-35	-30	-40	-30	1500

### SCHEMATICS

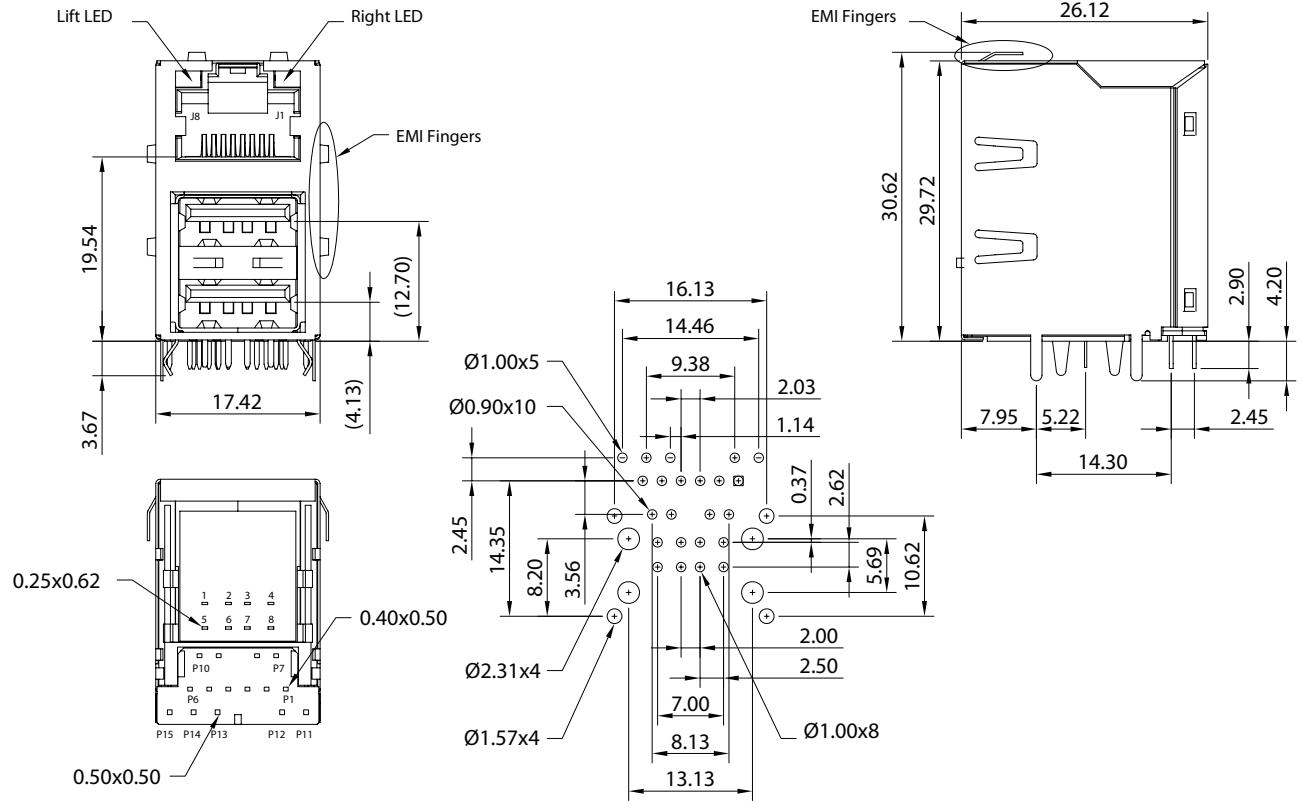


12.07.06

## CTRJGU Series

### MECHANICAL

CTRJGU27S1GOYNU1033



Suggested PCB Pad Layout  
Component Side View

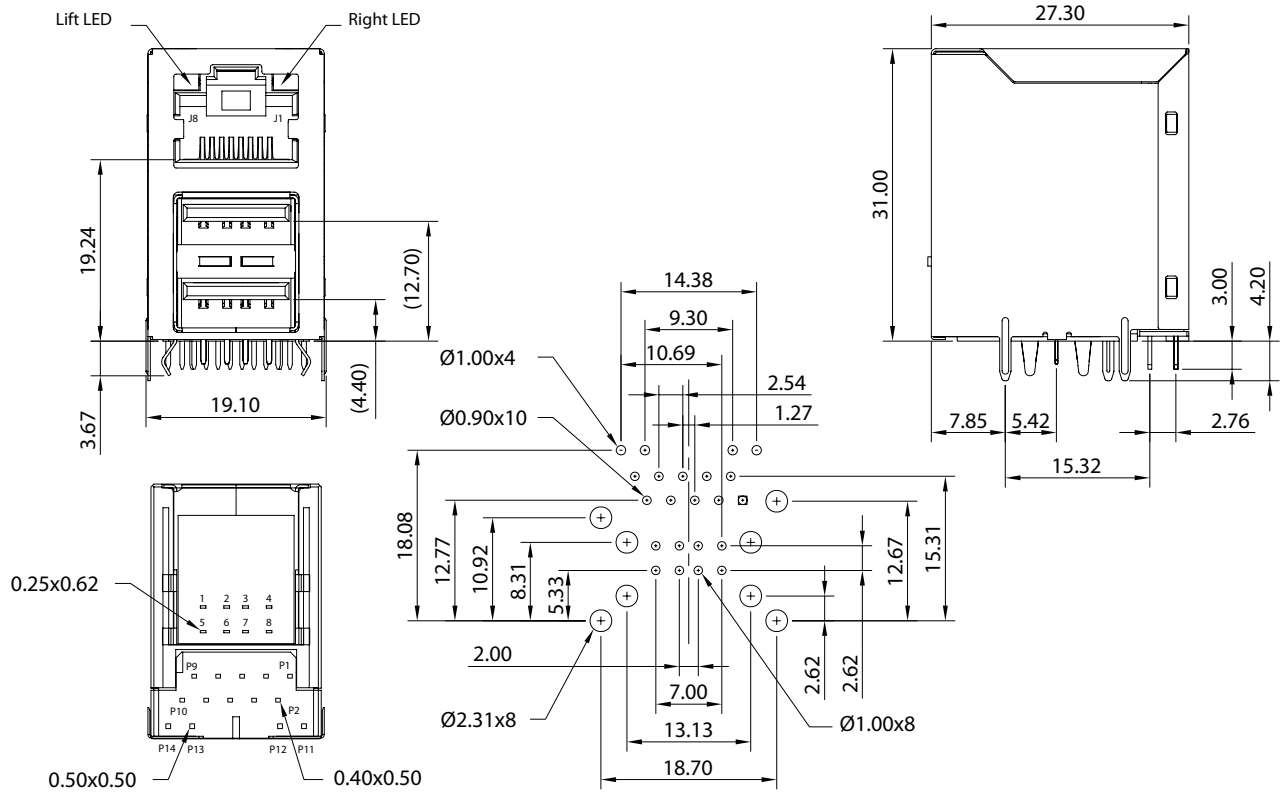
- NOTES : 1. Tolerance : PCB ±0.05mm  
 Connector ±0.25mm  
 2. Connector dimensions comply with FCC 68.5 dimension requirements

12.07.06

## CTRJGU Series

### MECHANICAL

CTRJGU27S1GNGYU1026



Suggested PCB Pad Layout  
Component Side View

- NOTES : 1. Tolerance : PCB ±0.05mm  
 Connector ±0.25mm  
 2. Connector dimensions comply with FCC 68.5 dimension requirements

12.07.06